



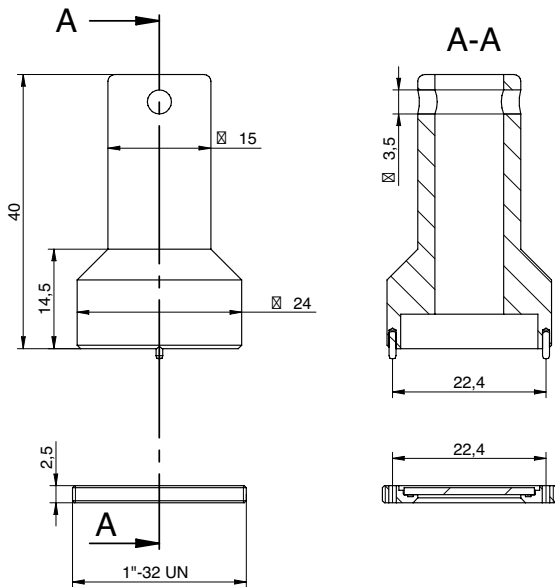
features

- daylight blocking filter up to 780nm
- screwable into C-mount housing (independent from lens)
- set with screw-in tool

mechanical data

height 2,5 mm
thread 1"-32 UN

dimension drawing



schematic diagram

